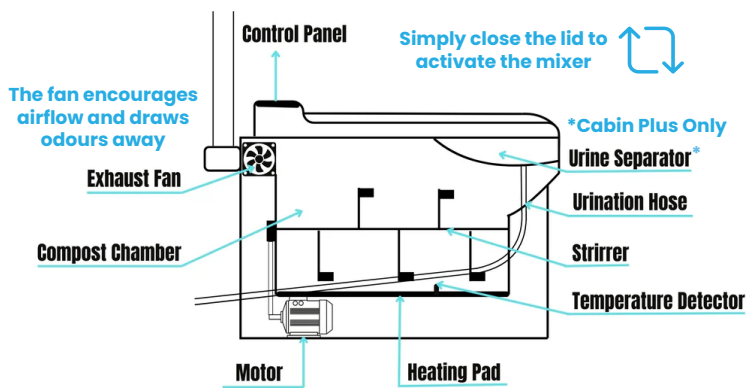




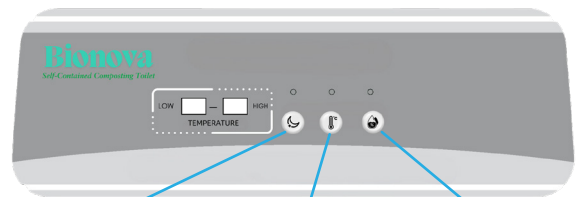
### A great choice for bathhouses and on-slab structures

The Bionova units are continuous composting systems, meaning the entire composting process is managed internally and automatically.

By using a combination of controlled air supply, heat, and automatic mixing, the Bionova series accelerates the natural action of microorganisms, converting toilet waste into eco-friendly humus without the use of chemicals.



### Easy One-Touch Controls



#### Night Mode

Pauses all functions to reduce noise



#### Temperature Control

5 heater settings for any climate



#### Dehumidification Mode

Fast evaporation of excess liquids

### Cabin



Both liquids and solids fall into the main chamber.

**Capacity:** Suitable for up to 3 full-time users.

### Cabin Plus



Liquids are directed into a separate chamber to prevent excess moisture from frequent use, which can interfere with composting.

**Capacity:** Suitable for 3-5 full-time users.

### Specifications

<b>Dimensions</b>	600mm L x 470mm W x 510mm H
<b>Required Floorspace</b>	700mm L x 470mm W (including space to install the pipe)
<b>Seal Height</b>	420mm
<b>Emptying Frequency</b>	Compost chamber: 4-6 months Liquids chamber: Every 2 days (Cabin Plus only)
<b>Max. Load Bearing</b>	150kg
<b>Power</b>	Australian AC adapter 230V 50Hz 0.55kWh/day average
<b>Material</b>	Outer: High-gloss polypropylene Inner: Polyamide and polypropylene

### Inclusions:

- Bionova Cabin Self-Contained Toilet
- Urine container with lid (Cabin Plus only)
- 6 x PVC 50 x 675mm length vent pipe
- 5 x PVC straight line couplings
- 3 x PVC 90-degree elbows
- 2 x 45-degree bends
- 1 x Weatherproof vent cowl
- 1 x PVC tee junction
- 1 x Bottle for moisture trap
- 1 x Foldable plastic bucket with lid and handle
- 1 x Plastic shovel
- 1 x Spatula



## FREQUENTLY ASKED QUESTIONS

### How do you operate the Bionova?

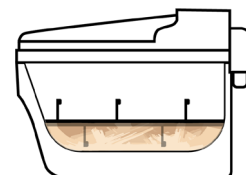
After number ones, simply close the lid which will automatically activate the fan, mixer and heaters. After number twos, add a cup of bulking agent and a few sprays of enzyme solution. Then close the lid.

### Do Bionova toilets smell?

When properly maintained, Bionova toilets do not smell. They include a ventilation system to remove odours and promote aerobic decomposition.

### How do you start a new Bionova?

- With the power off, add an even layer of bulking agent up to the mixing axle. Slightly dampen this with water.
- Power on the toilet. Close the lid. Set the default temperature. 30°C-40°C is the recommended for most Australian climates. Please refer to the chart in your manual to find the best setting for your climate.
- After 3 days of use, add a ¼ cup of Nature Quick Microbes mixed with a cup of warm water to the compost chamber and close the lid.



### How often do you need to empty a Bionova?

The frequency of emptying depends on usage. With 2-3 full-time users, the compost chamber may need to be emptied every 4-6 months. We recommend emptying the liquids chamber every two days to minimise odours.

### What bulking agent is recommended?

- Pine wood shavings
- Hemp bedding

### Can toilet paper be used in a Bionova?

Yes, we recommend using recycled toilet paper as it breaks down faster.

### How do you handle the solid waste?

Solid waste should be disposed of according to local regulations. Composted waste could either be disposed of at a dump point or buried at least 10mm underground and used as fertiliser. Do not let it come into contact with fruit and vegetables.

### How do you handle the liquid waste?

Liquid waste can be disposed of at a dump point or in a toilet. It could also be diluted and used as a fertiliser for non-potable plants.

### Is it difficult to install a Bionova toilet?

The Bionova toilet is designed for easy installation.

### Are Bionova toilets legal in all areas?

Regulations can vary by location. It's important to check local laws and regulations regarding the use and disposal of Bionova toilet waste.

### What are the benefits of using a Bionova?

- Environmentally friendly
- Easy to install, operate and maintain
- Can be more cost-effective over time

### What should not be put into a Bionova?

Avoid putting non-compostable items such as plastics, chemicals, or non-biodegradable products into the toilet. These can harm the system.

### What is the moisture trap for?

It collects condensation from the toilet's ventilation system. We recommend emptying this as it fills, either into the compost pile if it requires moisture or disposing of it.

